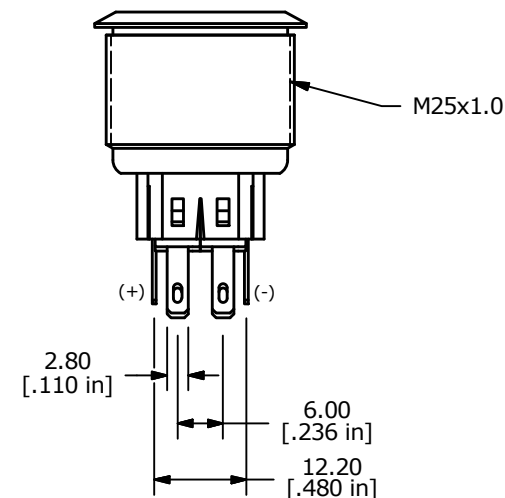
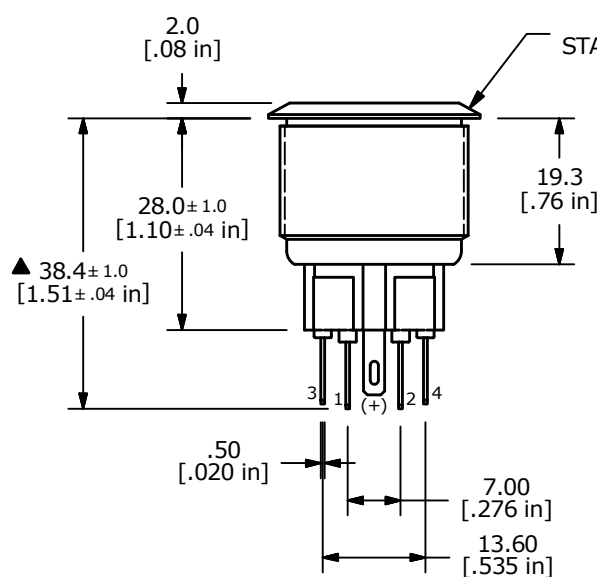
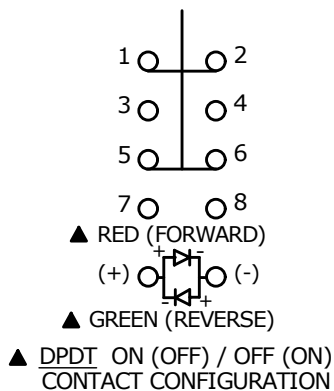


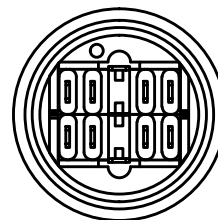
▲ SWITCH FUNCTION

POS. 1	POS. 2
1-2 5-6	(3-4) (7-8)

( ) = MOMENTARY



- NOTE:
- ALL DIMENSIONS IN MM [INCH]
  - GENERAL TOLERANCE: X.X ± 0.4  
X.XX ± 0.25
  - TERMINAL NOS. FOR REF. ONLY
  - RATING: 2A @ 48VDC
  - ILLUMINATION VOLTAGE: 1.8V FORWARD, 2.8V REVERSE
  - CONTACT RESISTANCE: 50mΩ MAX. @ 1A 12VDC
  - INSULATION RESISTANCE: 1,000MΩ @ 500VDC
  - DIELECTRIC STRENGTH: 2,000VAC MIN. FOR 1 MINUTE
  - ELECTRICAL LIFE: 50,000 CYCLES
  - OPERATING TEMPERATURE: -20°C TO 55°C
  - INGRESS PROTECTION: IP65
  - SUPPLIED HARDWARE: O-RING AND HEXNUT
  - ▲ DENOTES CRITICAL PARAMETER
  - 2011/65/EU (ROHS) COMPLIANT



A	22446	RELEASE FOR PRODUCTION	8/15/16	MW
REV	PCR NO	DESCRIPTION	DATE	BY

TITLE PV8F2V0SS-3G1				
SCALE	DATE	DR	DWG	REV
1:1	8/15/2016	MW	52-PV8F2V0SS3G1	A

THE INFORMATION CONTAINED IN THIS DOCUMENT IS PROPRIETARY TO E-SWITCH AND IS NOT TO BE COPIED OR TRANSFERRED